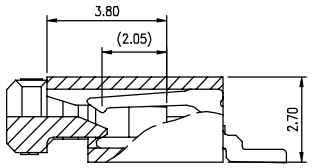
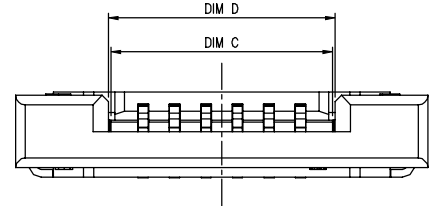


- NOTES:
- MATERIAL:
 - HOUSING: THERMOPLASTIC, HIGH TEMP, UL94V-0; COLOR:NATURAL.
 - CONTACT: COPPER ALLOY
 - FITTING NAIL: COPPER ALLOY
 - LATCH: THERMOPLASTIC, HIGH TEMP, UL94V-0; COLOR:WHITE.
 - FINISH:
 - CONTACT:
 - 50u"~100u" NICKEL UNDERPLATING OVERALL.
 - N:100u"~200 MATT TIN PLATING.
 - FITTING NAIL:
 - 50u"~100u" NICKEL UNDERPLATING OVERALL.
 - N:100u"~200u" MATT TIN PLATING.
 - REFLOW SOLDER CAPABLE TO 260°C PER ACES SPEC.
 - SPEC. PLS. REFER TO PS-52510-XXXX-XXX.
 - PACKAGE PLS. REFER TO 52510-xxxx-00-TRP.

RECOMMENDED P.C.BOARD
MOUNT SIDE
SCREEN THICKNESS:100 MICROMETER
SCREEN OPEN RATIO:100%

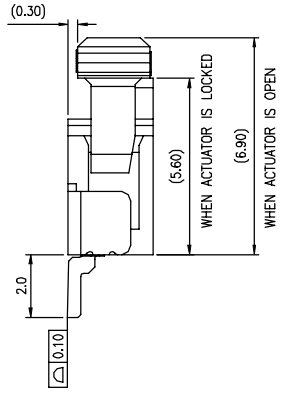
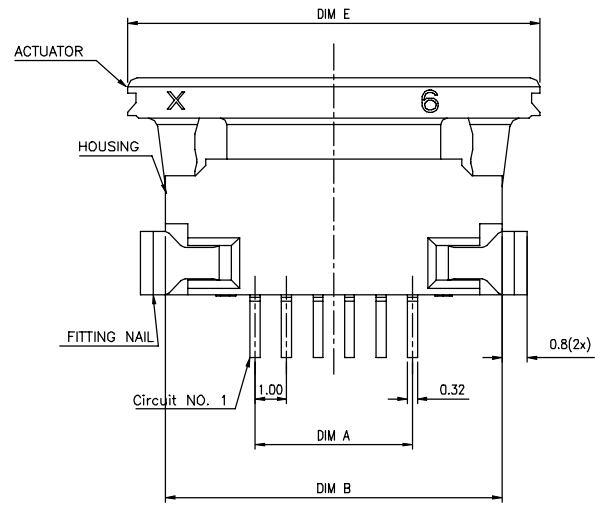


52510-XXXX-XXX

NO OF CKT
PACKING
O:TAPE & REEL

xxx	HOUSING MATERIAL & COLOR	ACTUATOR MATERIAL & COLOR	Halogen Free
001	HF&Natural	Natural&White	HF

PLATING
N:MATT TIN(LEAD FREE)



CKT	Dim A	Dim B	Dim C	Dim D	Dim E
6	5.0	10.7	7.10	7.20	13.10
8	7.0	12.7	9.10	9.20	15.10

QUALITY SYMBOLS MAJOR Ⓢ CRITICAL Ⓢ GENERAL TOLERANCES (UNLESS SPECIFIED) X. ±0.50 .X ±0.25 .XX ±0.15 .XXX ±0.10 ANGLES ±2°	DRAWN BY Lei,shanjun DATE 21/08/25	
	CHECKED BY Lu, Jing Quan DATE 21/08/25	
	APPROVED BY hsieh, fu yu DATE 21/08/25	
UNITS mm SCALE 1:1		SIZE A4 REV A
	SHEET NO. 1 OF 1	RFQ NO. RFQ-1810013 PART NO. N/A DWG NO. 52510-xxxx-xxx